

**603980 (ZAN-SiTngs-EU)**

EazyGo High Speed Oven with 7" touchscreen display (3.5 kW) with single magnetron 230V/1N/50Hz - black - Schuko plug

Main Features

- EazyGo guarantees high speed cooking results thanks to the combination of: Convection - Microwave - Impingement (hot air jets).
- EazyGo High Speed Oven is the solution for fast and consistent cooking (and reheating) results on different types of products for complete meals (frozen products, breaded products, proteins) but also pastry, hot snacks, appetisers, and much more.
- For easier recipe management each recipe can be linked to:
 - different food categories (i.e. Bakery & Pastry, Pizza & Panini, Eggs & Proteins, Gourmet Preps) and classified as Favourites
 - a customized image
 - a bar code, to be retrieved with a bar code scanner (available as an optional accessory PNC 653820)
- Adjustable temperature control from 30°C to 280°C.
- Adjustable impingement speed from 10% to 100% with 10% increment.
- Adjustable microwave power from 0% to 100% with 10% increment. With 0% microwave it can be used as a convection oven.
- Easy to use 5" capacitive touchscreen user interface where up to 1024 recipes can be stored.
- Prearranged for USB memory stick data transfer.
- Countdown display and buzzer with adjustable volume at the end of the cycle (or phase in case of multiphase recipes).
- It is possible to create multiphase recipes with different combinations of temperature, microwave and impingement for each phase.
- Ventless equipment, can be installed without extraction hood. Perfect for front house cooking (see handbook for more details).
- Easy to use 7" capacitive touchscreen user interface where up to 1024 recipes can be stored.

Construction

- IPX3 protected.
- 2" adjustable feet.
- Ergonomic door handle.
- Easy to access air filter.
- AISI 304 stainless steel cooking chamber with all rounded corners for easy cleaning.
- Removable easy-to-clean solid baking plate made of aluminium with ceramic coating.
- Catalytic filters.
- Compact footprint with a wide 18-liter cooking chamber.
- Top safety rail ensuring intuitive and stable paddle positioning.

Included Accessories

PNC Code	Description	Quantity
653816	Non-stick Teflon sample basket for EazyGo high speed oven	1
653817	Non-stick Teflon sample mesh basket for EazyGo high speed oven	1
653819	Aluminium shovel for EazyGo high speed oven	1

Optional Accessories

PNC Code	Description
Containers, trays and grids	
653898	Non-stick Teflon tray for EazyGo high speed oven
Other accessories	
650243	LABEL PRINTER, BLUETOOTH (FOR 50X60 MM LABELS), DISPLAY ENG/ITA (MANAGED VIA DEDICATED APP)

Recommended Detergents

PNC Code	Description
0S2881	S01 STAINLESS STEEL SURFACE POLISHER; 6 BOTTLES X 750ML C/T
0S2882	S02 DEGREASER 6pzx750ml - ADR&IMDG Limited Quantity
0S2883	S03 ALCOHOL BASE DETERGENT; 6 BOTTLES X 750ML; ADR&IMDG&IATA Limited Quantity
0S2884	S04 GLASSES & HARD SURFACES CLEANERS; 6 BOTTLES X 750ML
0S3257	S05 - MULTIPURPOSE DEGREASER; 6PCS X 750ML; ADR&IMDG Limited Quantity

Technical specifications

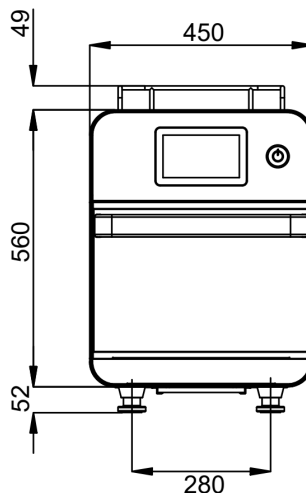
Electric

Supply voltage:	220-240 V/1N ph/50 Hz
Rated amps:	15.2 A
Total Watts:	3.5 kW
Plug type:	CE-SCHUKO

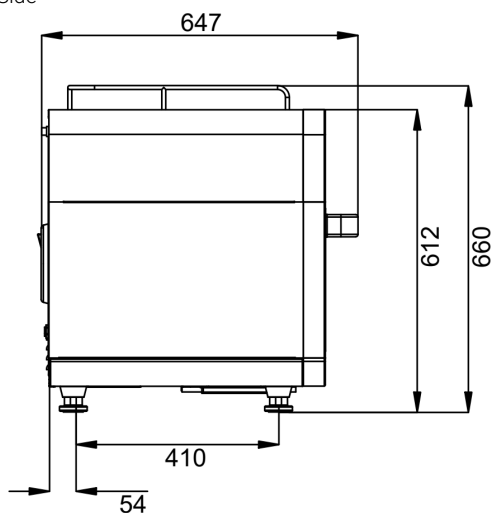
Key Information:

Oven working Temperature:	25 °C MIN; 280 °C MAX
External dimensions, Width:	460 mm
External dimensions, Depth:	710 mm
External dimensions, Height:	660 mm
Net weight:	61 kg
Shipping weight (gross):	89 kg
Shipping height:	760 mm
Shipping width:	580 mm
Shipping depth:	770 mm
Shipping volume:	0.34 m ³
Waterproof index:	IPX3

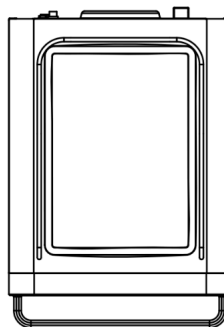
Front



Side



Top



EI = Electrical inlet (power)

EO = Electrical Outlet

